

## BNS14-D BAYNETS SAFETY SYSTEMS INSTALLATION INSTRUCTIONS

- Car
- Single Bay
- Single Pan

### EXTREMELY IMPORTANT:



1. Read directions completely prior to installation.
2. Use only a certified welding technician for Steps 2, 3, 4 & 5 who is fully aware of all products specific to your facility and is knowledgeable in safety compliance required to perform these steps.
3. Follow the enclosed installation instructions exactly to insure the system meets all Occupational Safety and Health Administration specifications.
4. **SPECIAL NOTE:** The installation video suggests welding pad eyes to the *end* wall of the service bay. These written instructions have been updated to now suggest welding to the *side* wall. This keeps the cable tight to the *side* of the bay.

- STEP 1** Unpack all items from box and identify the following:
- |  |  |
|--|--|
| A. Net (1 per installation)  | F. Snap Hooks (5 per installation)             |
| B. 1/4" Wire Cable length attached to pad-eye (2 per installation) | G. Anchor Assembly (1 per drain pan)           |
| C. Cable Clamps (6 per system), Thimbles (2 per installation)      | H. Pad Eyes (2 per installation)               |
| D. Turnbuckles (2 per installation)                                | I. Drain Pan Anchor Assembly (1 per drain pan) |
| E. Quick Links (quantity dependant on net length)                  |  |
- STEP 2** Weld one pad eye (cable attached) to the side wall of the bay in a horizontal position, as high as possible and 1" from end wall. See overall view and assembly Detail A.
- Weld the other pad eye with cable attached at the diagonally opposite end of the bay in the same manner.
- STEP 3** Weld single pad eyes to the other two corners in a vertical position as high as possible directly across from the pad eyes on the opposite side. See overall view.
- STEP 4** Weld two pad eyes to the drain pan as close to in-line as possible with the previously installed pad-eyes. See Detail A showing recommended assembly. The attachment method necessary to be used with your drain pan may vary from the illustration shown.
- Slide the 5/8" steel rod through the two pad eyes and weld into place. If necessary, trim rod ends so they will not interfere with baynet or drain pan operation.
- STEP 5** Weld the drain pan anchor pad eyes into place as shown in Detail A. Provide a 2 inch offset between pad eyes. Attach a snap hook to the drain pan pad eye.
- STEP 6** Unscrew both sides of turnbuckle to its limit, then attach the jaw end of the turnbuckle to the pad-eye (without cable). Repeat on each side. See assembly Detail B.
- Twist open a thimble and attach it to the eye of the turnbuckle; twist closed using two pair of pliers or vice-grips.
- STEP 7** Run the pad eye attached cable assembly down the length of the bay and through the pad eye at the opposite end of the bay. Repeat on each side. See overall view.
- Place 3 cable clamps on the free end of the cable. Thread the cable through the turnbuckle, around the thimble and through the 3 cable clamps. See Detail C.
  - Pull slack out of the wire by hand and tighten one clamp to hold cable in place. Position the cable clamps correctly as shown in Details C & D.
  - Tighten and torque the 3 cable clamps to 30 ft-lb. Repeat with the other cable assembly.
- STEP 8** Tighten each cable assembly by inserting a screwdriver into the body of the turnbuckle, turning the body while keeping the turnbuckle eye and cable stationary. Use care not to twist the cable. Tighten the turnbuckle until the cable can be moved no more than 2" vertically at the midway point of the bay net.
- STEP 9** Attach net to the cable using quick links along the two long sides every 15" on center. Use the aluminum rings on the net as a guide. See overall view and Detail E.
- STEP 10** Install snap hooks to each corner of net and a center snap hook on the drain pan side. Secure snap hooks as shown to the pad-eyes and drain pan. The spring snap hooks will stay affixed to the net assembly.
- When a technician moves the net, he/she will snap/unsnap the net from the pad-eye or drain pan to gain access to either end of the vehicle. See overall view.
- STEP 11** Following installation, your BayNets Safety System should be checked on a regular schedule for tightness of all cables and clamps. The netting should be replaced if it becomes torn or stretched out of shape.



Net  
(1 per installation)



1/4" Wire Cable length  
attached to pad eye  
(2 per installation)



Cable Clamps  
(6 per installation),  
Thimbles  
(2 per installation)



Turnbuckles  
(2 per installation)



Quick Links  
(quantity dependent  
on net length)



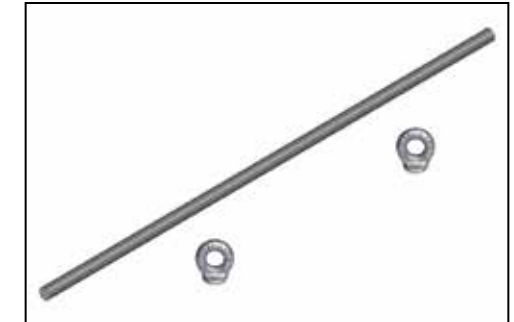
Snap Hooks  
(5 per installation)



Anchor Assembly  
(1 per drain pan)



Pad Eyes  
(2 per installation)



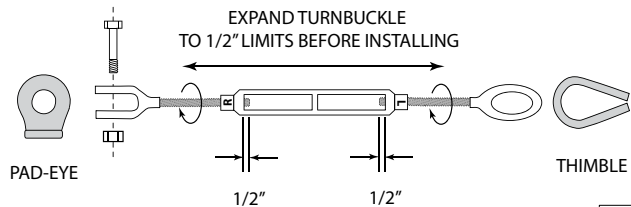
Drain Pan Anchor Assembly  
(1 per drain pan)

InCord BAYNETS provide an easy, effective tool for open pit safety and promote safer work habits in the hazardous area of your service center.

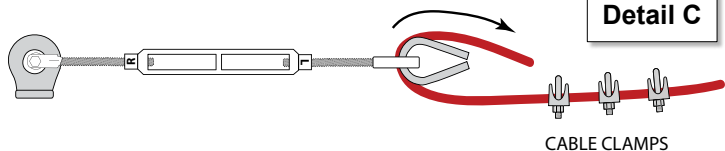
BAYNETS are designed to catch and cradle a person falling into the floor opening. They are fabricated of specially treated, petroleum-resistant synthetic web, installed with aircraft cable and hardware. Once installed, the patented BAYNETS Safety System® has a tensile strength of over 3 tons.



**Detail B**



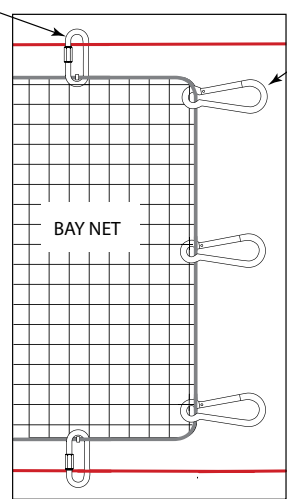
**Detail C**



**Detail E**

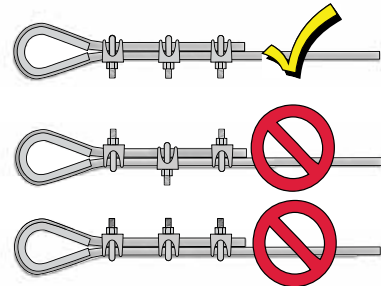
QUICK LINKS SPACED EVERY 15" OC AT ALUMINUM HOG RINGS

SNAP HOOKS ON EACH SIDE AND ONE IN CENTER



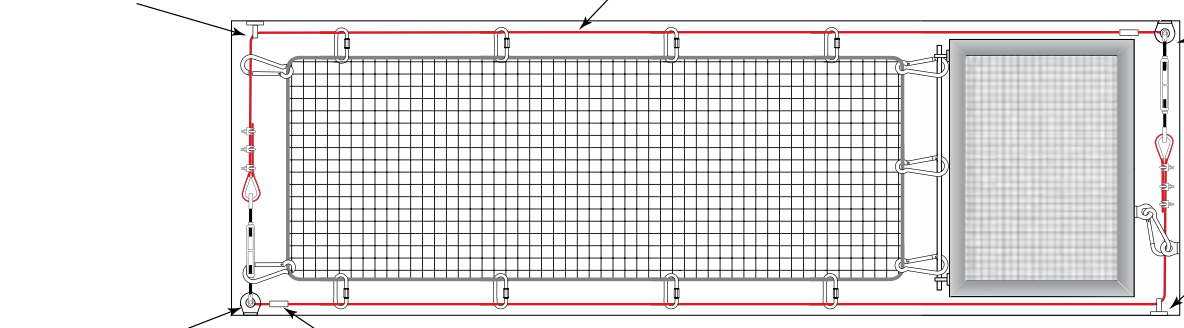
**Detail D**

INSTALL CORRECTLY AND TORQUE TO 30 FT-LB



2" CABLE PLAY AT MID POINT

PAD EYE (VERTICAL MOUNT)



PAD EYE (HORIZONTAL MOUNT)

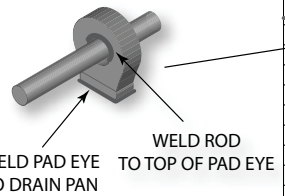
MOUNT ALL PAD EYES IN UPPER CORNER OF PIT

**Main View**

PAD EYE (VERTICAL MOUNT)

PAD EYE WITH CABLE (HORIZONTAL MOUNT)

DRAIN PAN ANCHOR ASSEMBLY

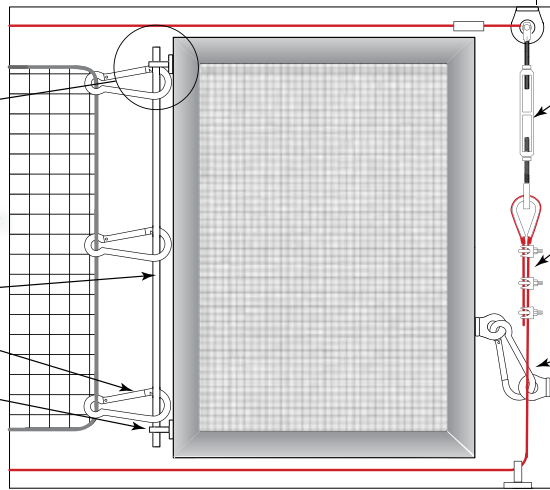


**Detail A**

5/8" ROD

SNAP HOOK

PAD EYE



1" SPACE FROM WALL (ALL PAD EYES)

TURNBUCKLE WITH CABLE ASSEMBLY

TIGHTEN CABLE FOR 2" PLAY

CABLE TERMINATED WITH THIMBLE AND CLAMPS

DRAIN PAN ANCHOR ASSEMBLY

INSTALL PAD EYES 2" OC

TYPICAL INSTALLATION SHOWN



Thank you for purchasing the patented BAYNETS Safety System. We are confident that you will be very pleased with your finished installation and will soon agree that the BAYNETS System is the best safety system for your dollar.

Please read the enclosed installation instructions to verify that all the required hardware has been included. Contact us immediately at 800-331-0731 if any contents are damaged or missing. Also, we welcome you to call with any feedback, questions or comments.

Thank you for your order. We look forward to a long and safe business relationship.



### BAYNETS Safety System Specifications

Netting .....	5 mm High Tenacity Multi-filament Polypropylene raschel netting with a burst strength of 3.2 kN
Mesh .....	2.5 inch square
Rope .....	1/2 inch diameter Polyolefin synthetic rope with a 5900 lb tensile strength. The rope woven through the perimeter mesh of the net and attached to the rope using aluminum pressed rings, 15 inch o.c.
Cable .....	1/4 inch 7x19 galvanized aircraft cable (7,000 lb breaking strength)
Quick Link.....	3/8 inch at 15 inch intervals (3,400 lb safe working load)
Spring Snap Hook .....	7/16 inch (2,450 safe working load)
Frame .....	The frame for the net is made from 1/4 inch aircraft cable and consists of #2 pad eyes (5,000 safe working load) with 1/2 inch x 6 inch J&E turnbuckles (2,200 safe working load) at one end and 3 Crosby clips at the termination end. The frame is supported on long systems (over 25') by adding additional pad eyes and snap hooks at approximately 15' on center to reduce the sag of long cable runs.
Overall System .....	The resultant safe working load exceeds normal standards by a safety ratio of 10 to 1 (approximately 6,900 lb breaking strength).

### Certificate of Warranty

This Certificate of Warranty for the specified model BAYNETS Safety System becomes valid and Warrants to the purchaser to be free from defects in workmanship and materials for a period of 12 months from date of installation. This warranty does not cover failures resulting from misuse, abuse, and alterations of the BAYNETS Safety System with improper components or failure to comply with the proper installation as set forth in the Installation Instructions.

To make claim under this warranty, the purchaser must notify BAYNETS, at its office at 226 Upton Road in Colchester, Connecticut. The claim will be evaluated and if bona fide, further instructions will be issued. BAYNETS obligation under this warranty is limited to the option of repairing at its plant or supplying a replacement for component part(s) of the BAYNET System.

There is no other express warranty. Implied warranties, including those of merchantability and fitness for a particular purpose are limited to twelve months from the purchase and to the extent permitted by law any and all implied warranties are excluded. This is the exclusive remedy and liability for consequential and incidental damages under any and all warranties are excluded to the extent exclusion is permitted by law. Some states do not allow limitations on how long an implied warranty lasts, or the limitation or exclusion or consequential or incidental damages, so the above limitations or exclusions may not apply to you.

This warranty gives you specific legal rights and you may also have other rights, which vary from state to state.



226 Upton Road  
Colchester, CT 06415  
800-331-0731  
860-537-1414

[www.baynets.com](http://www.baynets.com)  
email [info@baynets.com](mailto:info@baynets.com)

BNS14-D BayNets Safety System  
Installation Instructions 109  
01-19 Rev. B  
Copyright © 2006 INCORD